

209008-04CF

F **x20**

B **8x30 mm.** **x12**

C **ø16 mm.** **x6**

D **x6**

E **7x60 mm.** **x6**

L4530 **4.5x30 mm.** **x5**

P **x4**

R **x16**

T20 **ø20 mm.** **x6**

H2E **703790-30CC**

15 mm. **x6**

C0 **x6**

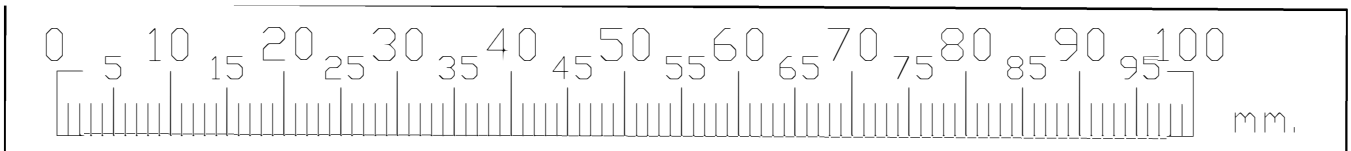
L15 **4x15 mm.** **x12**

T **203565-04CF** **x1**

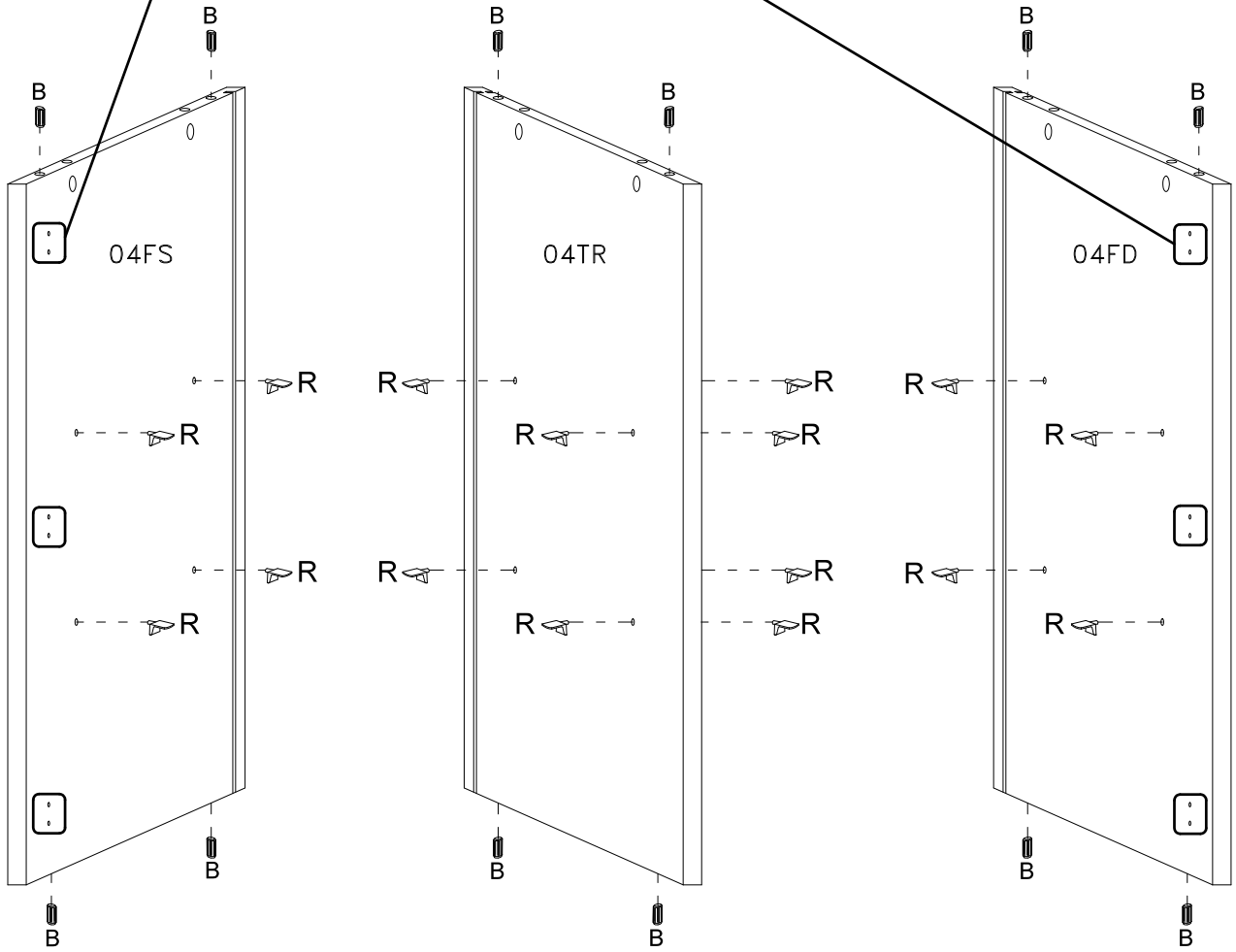
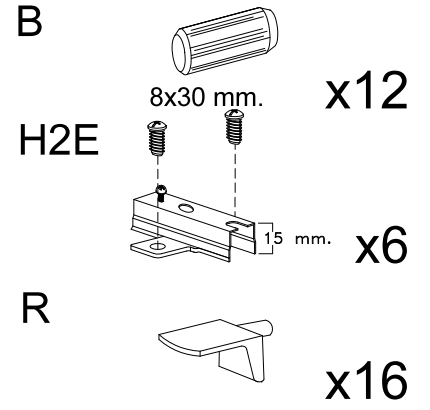
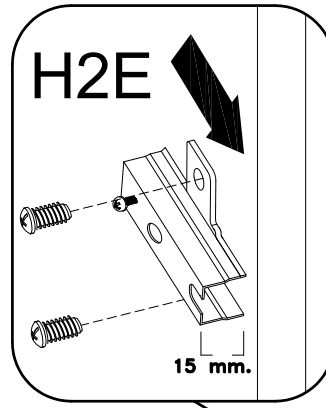
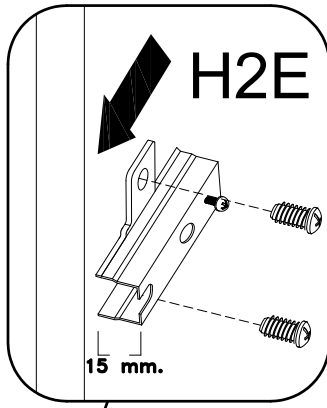
L3 **4x18 mm.** **x1**

F21 **205124-06PIE**

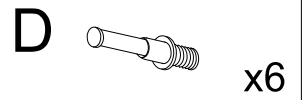
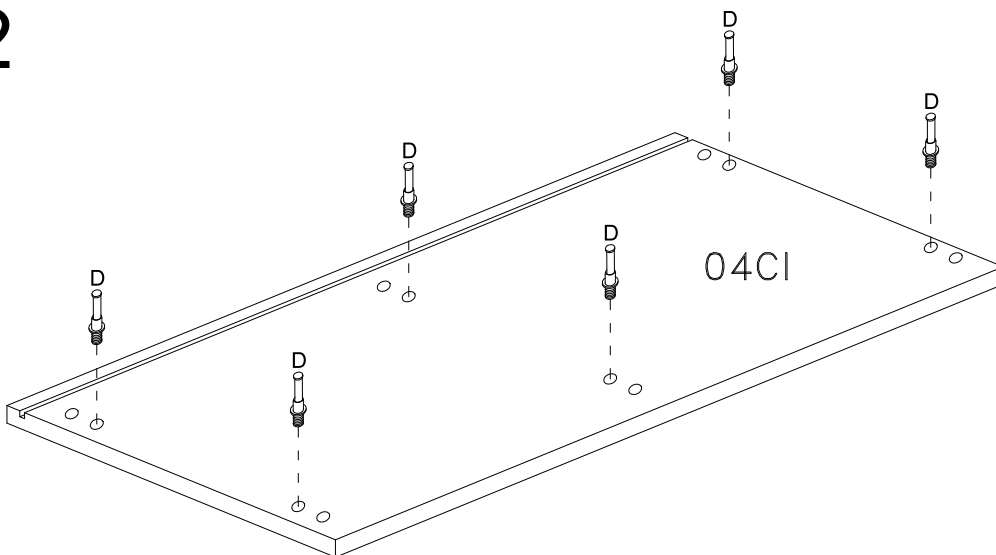
ø 60 mm
h 20 mm **x5**



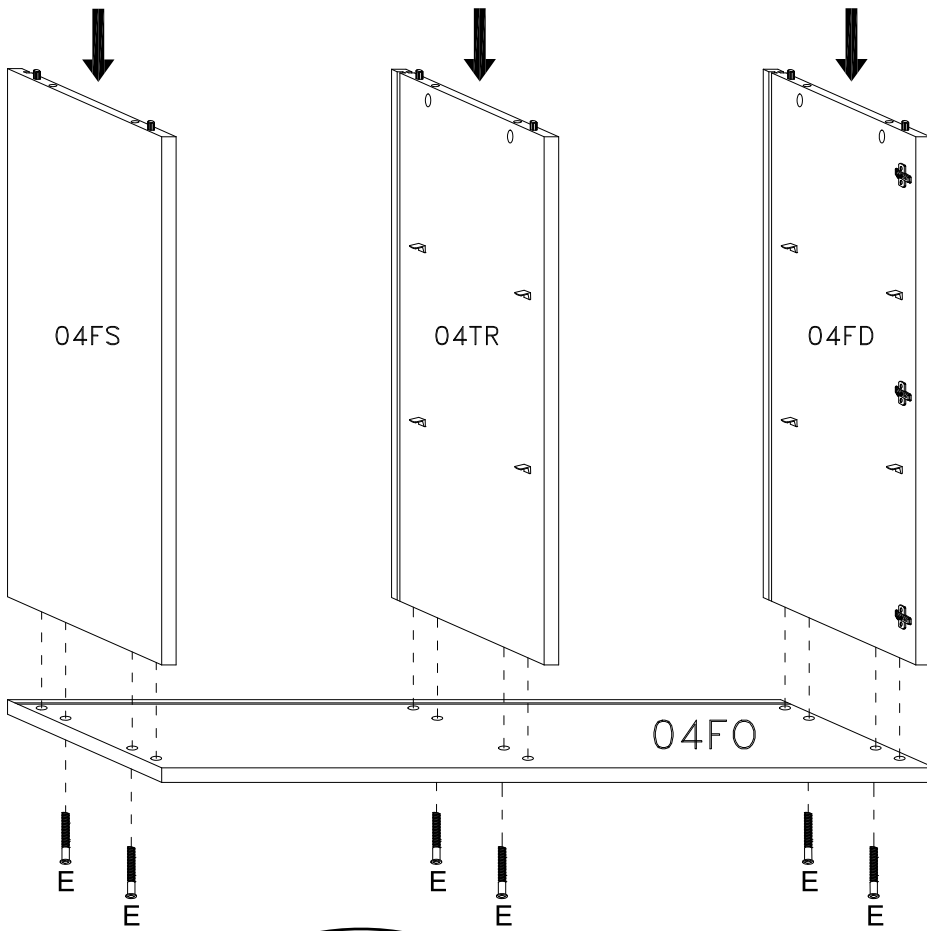
1


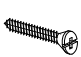
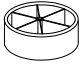


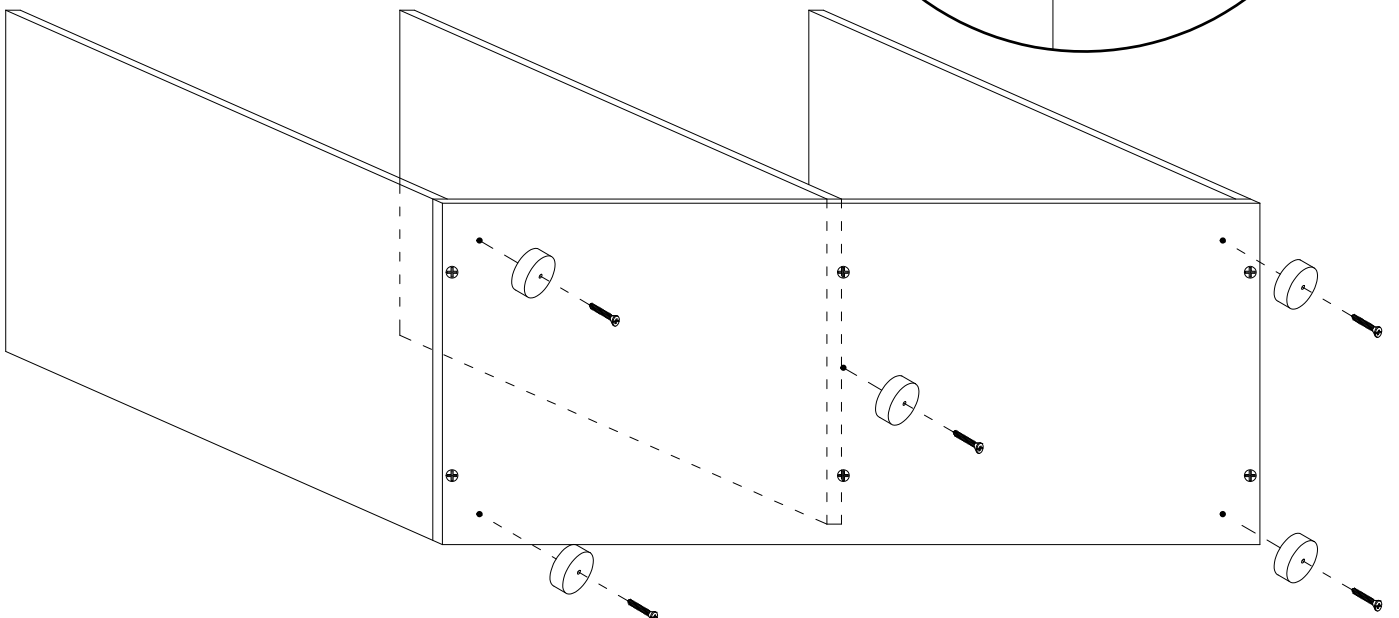
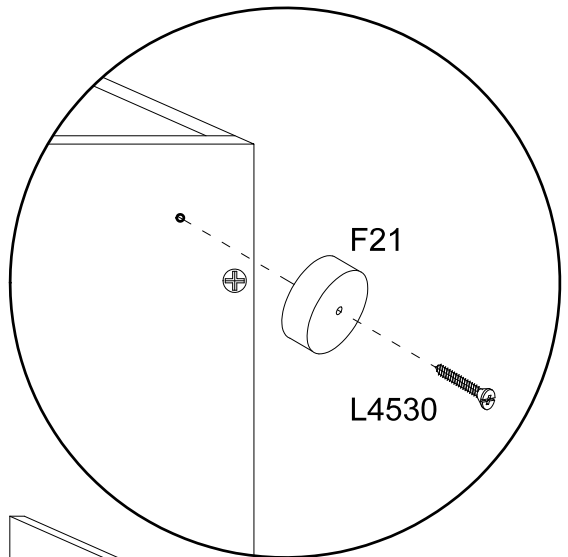
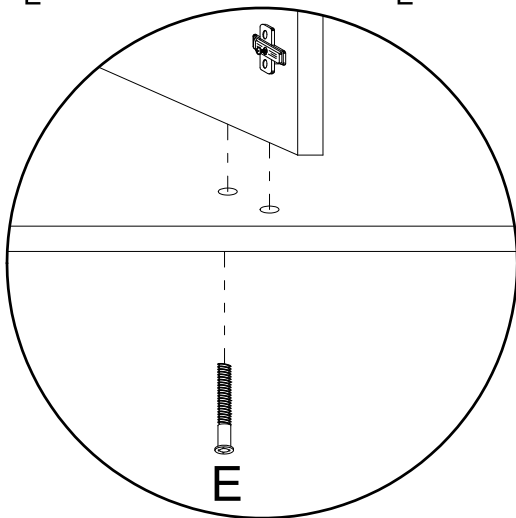
2



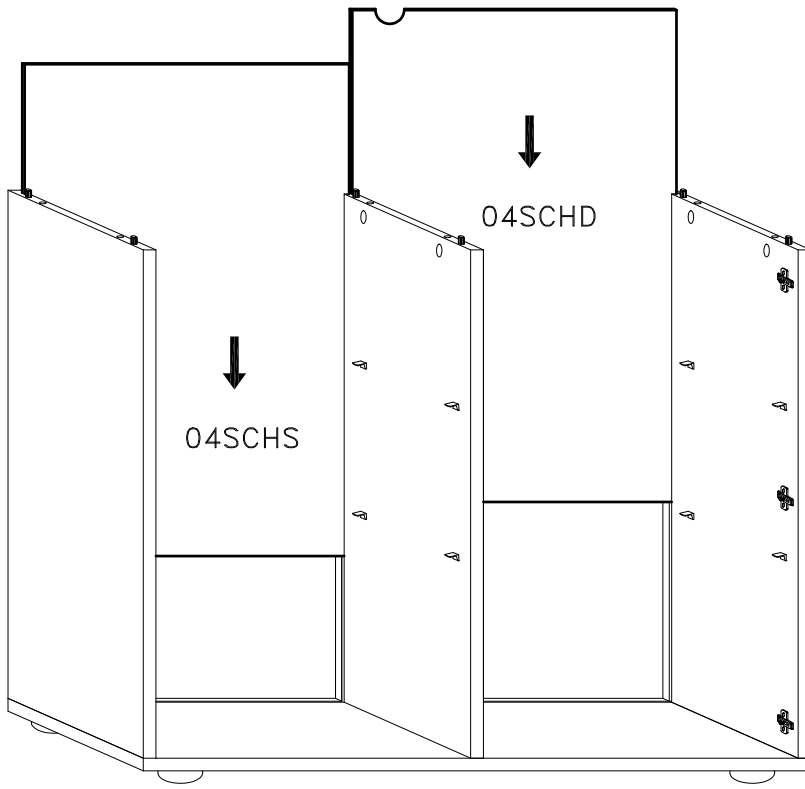
3



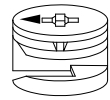
- E  7x60 mm. x6
- L4530  4.5x30 mm. x5
- F21  Ø 60 mm h 20 mm x5



4

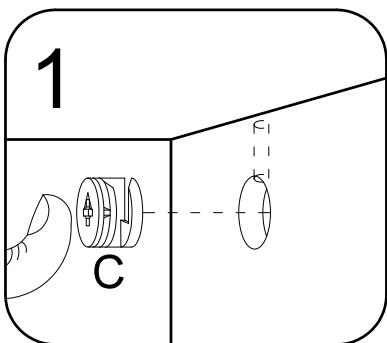
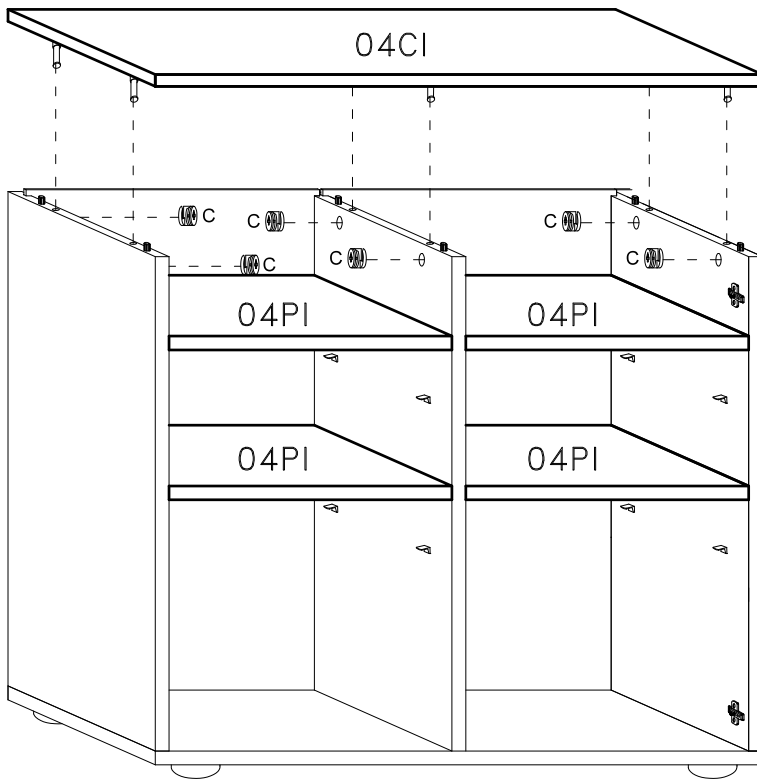


C

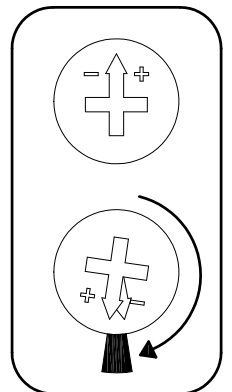
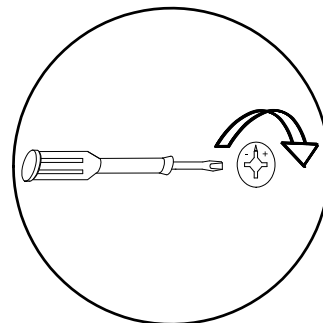


∅16 mm.

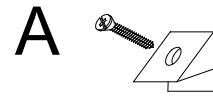
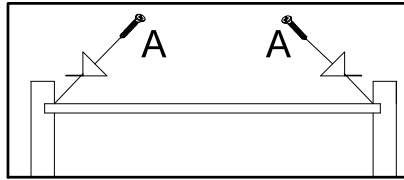
x6



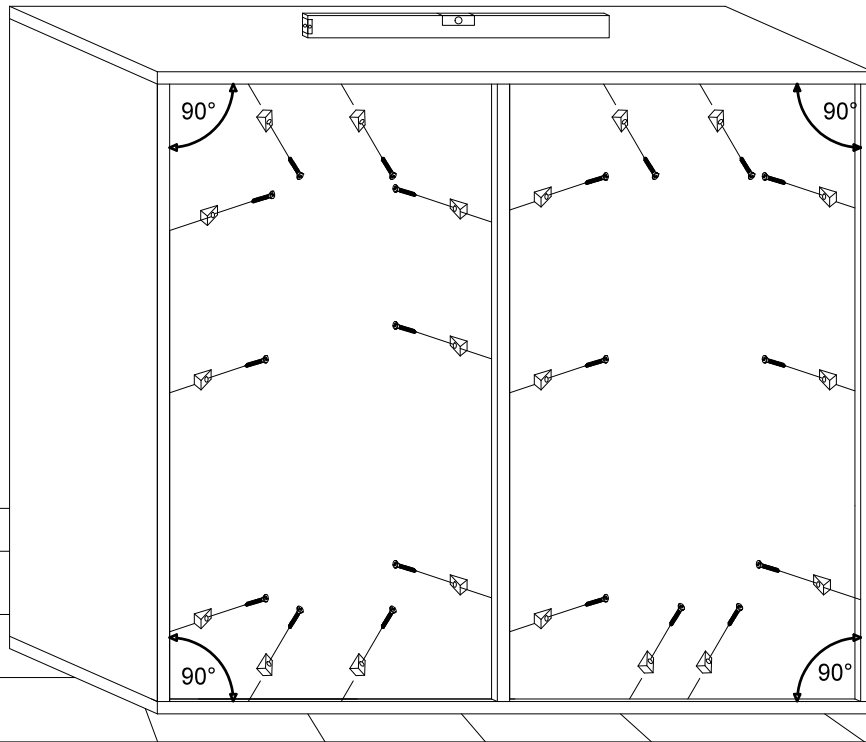
2



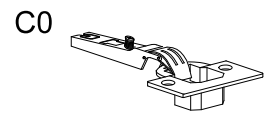
5



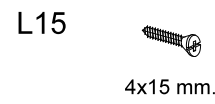
x20



6



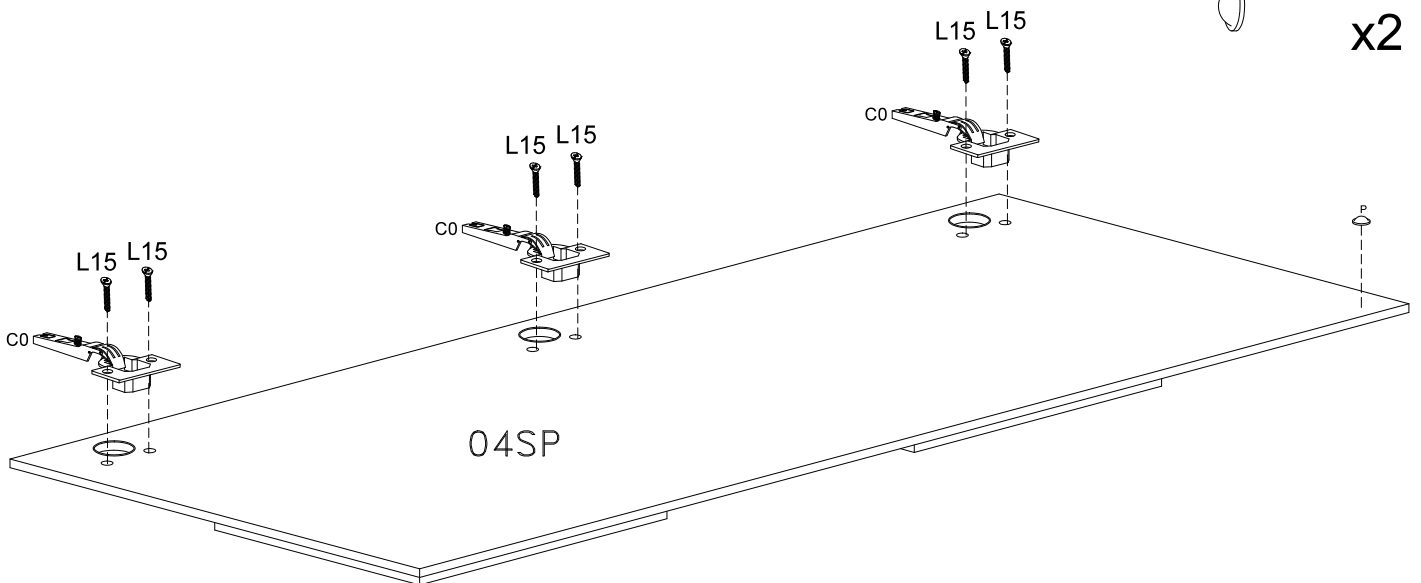
x6



x12



x2



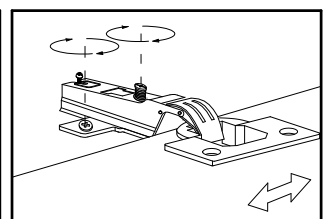
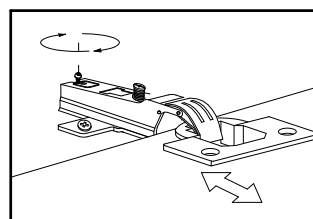
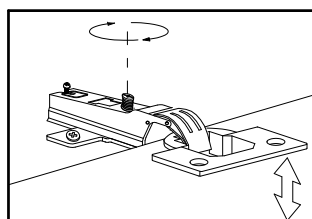
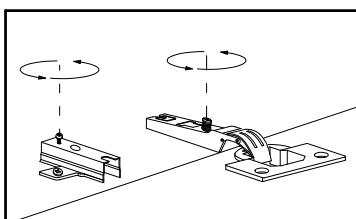
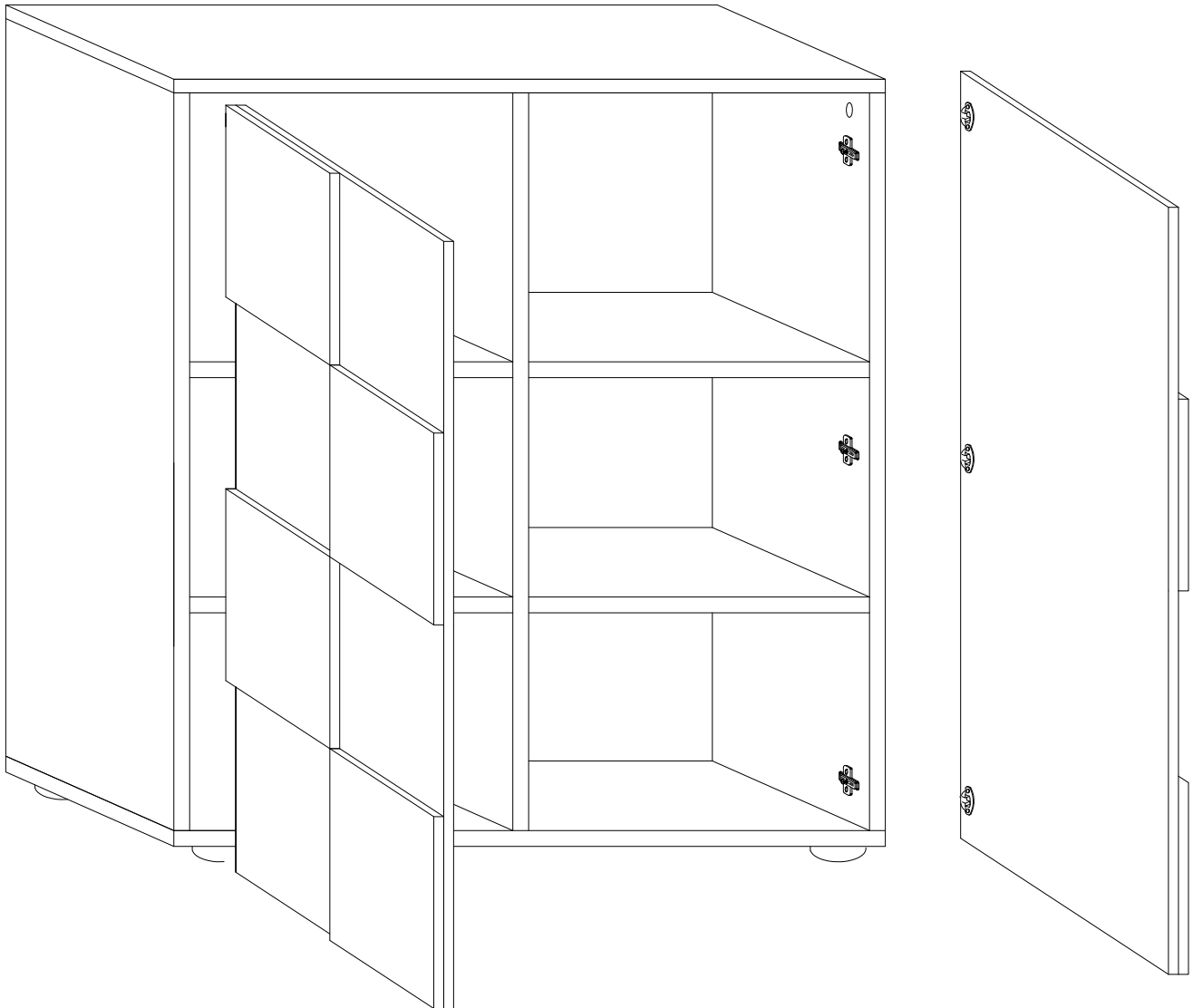
7

T20

Ø20 mm.

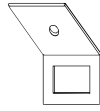


x6



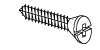
9

T



x1

L3



4x18 mm.

x1

